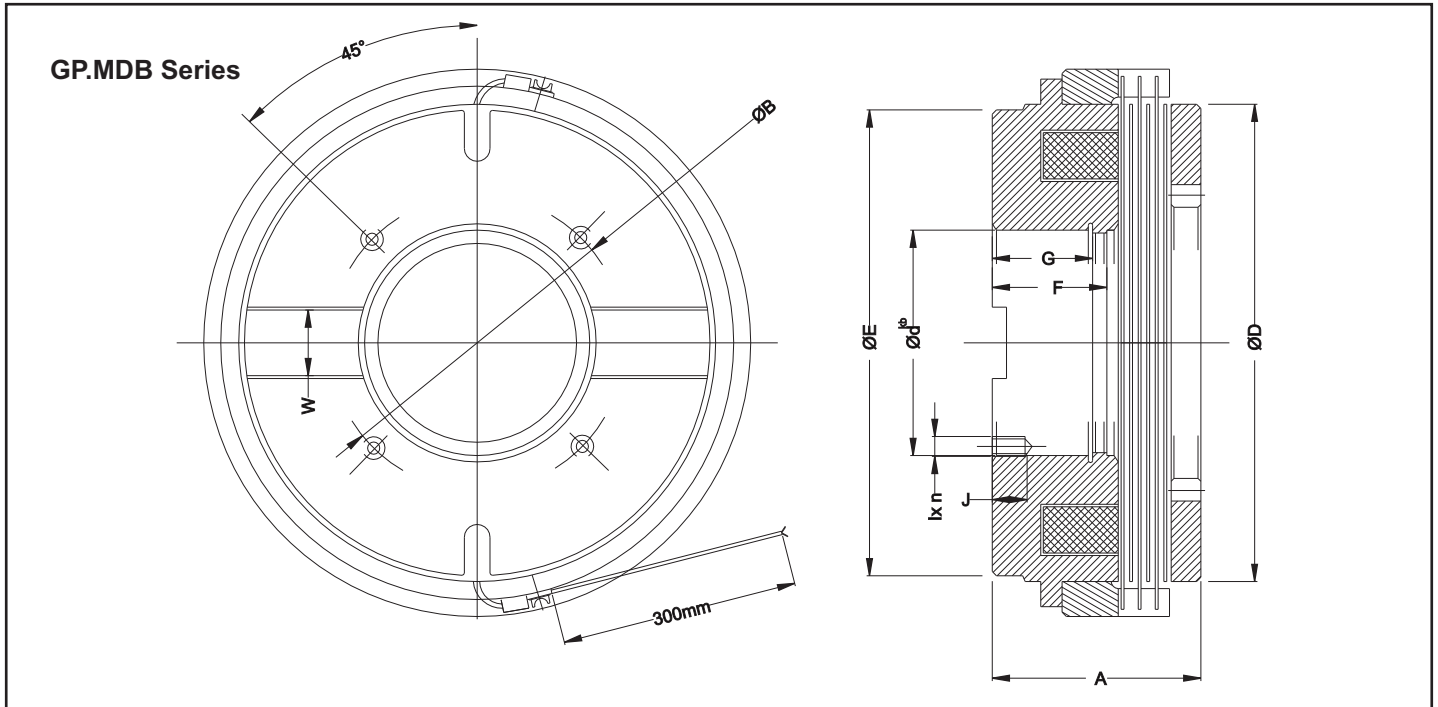


Dimension Data

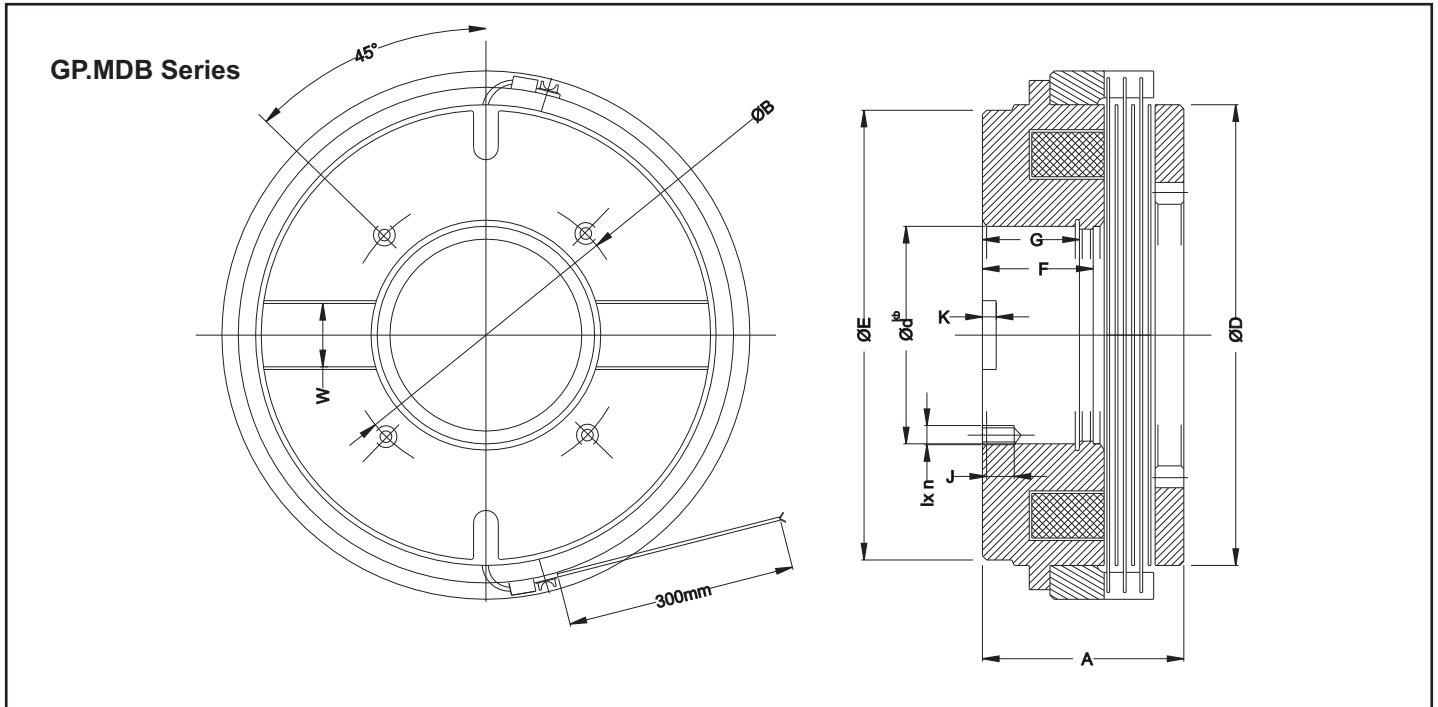
Multi-Disc
Electromagnetic Brakes
GP.MDB-DB/EB Series



Model :		GP 1B	GP 2DB	GP 5DB	GP 10EB	GP 20DB	GP 20EB	GP 40DB	GP 40EB
		EK 1B	EK 2DB	EK 5DB	EK 10EB	EK 20DB	EK 20EB	EK 40DB	EK 40EB
Static torque	NM	20	50	100	200	400	360	800	800
Dynamic torque	NM	10	20	55	100	200	200	400	450
Engagement time	ms	170	220	280	360	450	450	600	600
Disengagement time	W	50	70	100	110	200	200	250	250
Coil power consumption at 25° C	ms	18	17	28	34	51	46	83	68
Mass moment of inertia side A	10 ⁻³ kgm ²	1.0	2.0	5.5	18	53	52	115	118
Mass (weight)	kg	0.75	1.25	2.05	3.8	6.3	6.2	9.7	9.3
A	mm	31	38	49.5	55	58.6	64.5	69	68
D Ø	mm	80	93	114	140	166	166	195	195
E Ø	mm	67	78	95	120	142	142	170	170
d Ø K6	mm	35	42	55	68	75	90	90	110
B Ø	mm	50	56	75	90	100	116	116	125
F	mm	19	22	27	29	30	33	34	34
G	mm	17	20	22	22	25	28	28	28
J	mm	5	5	7	8	10	9	12	14
K	mm	2.5	2.5	5	5	6	6	6	6
I X N	mm	m5 X 4	m6 X 4	m8 X 4	m8 X 4	m10 X 4	m10 X 4	m10 X 4	m10 X 4
W H7	mm	12	12	14	16	20	20	20	20

Dimension Data

Multi-Disc
Electromagnetic Brakes
GP.MDB-DB/EB Series



Model :		GP 60 DB	GP 80 B	GP 120 EB	GP 160 B	GP 320 B
		EK 60 DB	EK 80 B	EK 120 EB	EK 160 B	EK 320 B
Static torque	NM	1100	1800	2400	3600	5800
Dynamic torque	NM	600	1000	1300	2000	3200
Engagement time	ms	700	700	1100	1300	1700
Disengagement time	ms	300	380	400	540	750
Coil power consumption at 25° C	W	91	89	140	155	170
Mass moment of inertia side A	10 ⁻³ kgm ²	175	300	540	1018	1970
Mass (weight)	kg	13.0	17.1	21.2	38.4	66.0
A	mm	77.5	80	86	108	118
D Ø	mm	210	240	258	295	336
E Ø	mm	184	216	234	260	304
d Ø k6	mm	100	110	140	125	140
B Ø	mm	130	145	170	200	275
F	mm	39	40	41	52	53
G	mm	31	32	33	42	43
J	mm	16	18	13	20	20
K	mm	6	6	8	8	8
I X N	mm	m12 x 4	m12 x 4	m12 x 4	m160 x 4	m160 x 4
W H7	mm	20	25	25	25	25
AIR GAP	mm	4.0	5.0	9.0	4.5	5.5