

# Friction Clutch Buttons



## GOLDEN CLUTCH BUTTONS

GOLDEN supply wide range of high quality Clutch Buttons in various sizes, shapes and thickness from 3.50 mm to 10.50mm for Heavy Duty, Dampers, and other applications. These Clutch Buttons are being used in Dozers, Loaders, Bulldozers, Dumpers, etc.

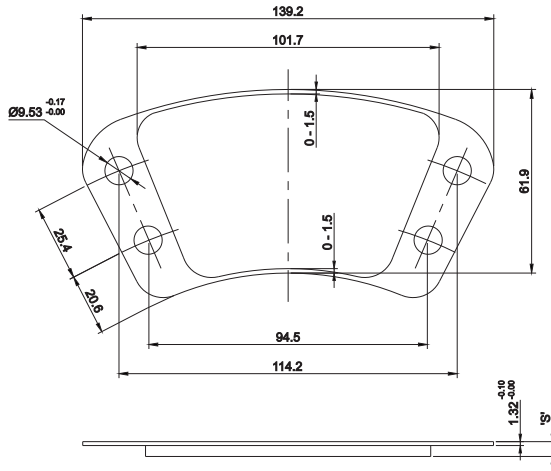
## FEATURES

- Better shift performance
- Better clutch durability
- Superior surface furnish for greater apply and friction clutch life.
- Capable for dry Hi-performance

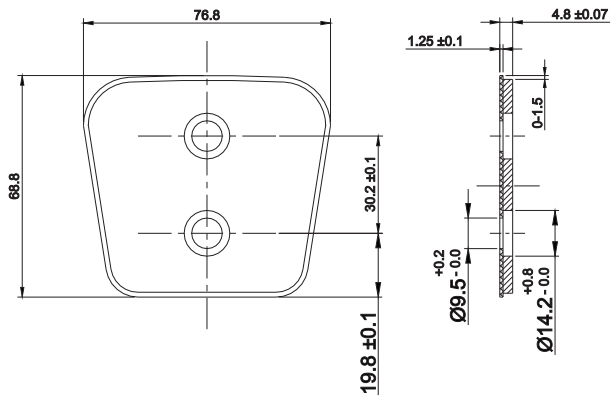
## BENEFITS

- Reduce costs and improve delivery time by ordering small or large quantities.
- GOLDEN has over 11 designs of buttons in various sizes / Thickness

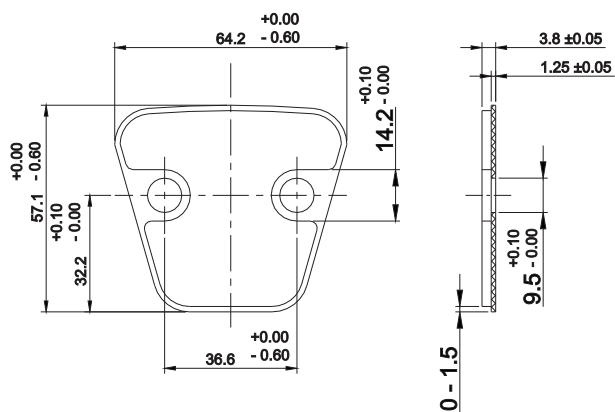
# Clutch Buttons Models



MODEL NUMBER	THICKNESS ('S')
GCB - 1.51	5.10 MM
GCB - 1.48	4.80 MM
GCB - 1.44	4.40 MM
GCB - 1.40	4.00 MM
GCB - 1.36	3.60 MM

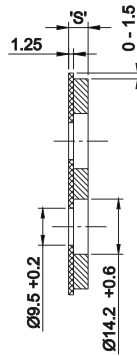
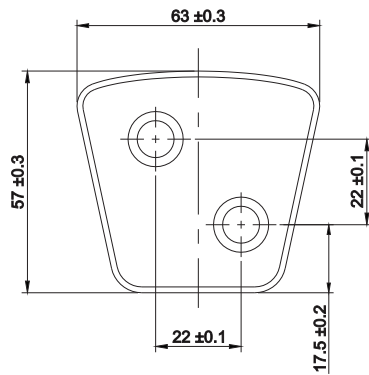


MODEL NUMBER	THICKNESS ('S')
GCB - 2.50	5.00 MM
GCB - 2.48	4.80 MM

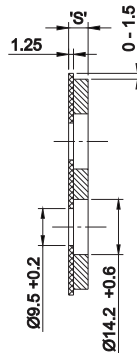
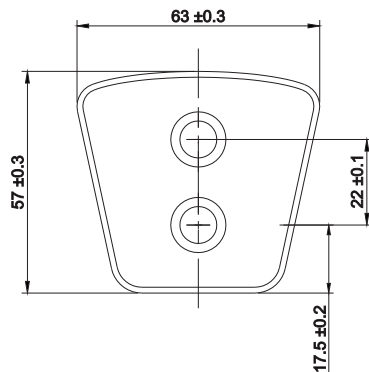


MODEL NUMBER	THICKNESS ('S')
GCB - 3.55	5.50 MM
GCB - 3.48	4.80 MM
GCB - 3.44	4.40 MM
GCB - 3.40	4.00 MM
GCB - 3.36	3.60 MM
GCB - 3.32	3.20 MM

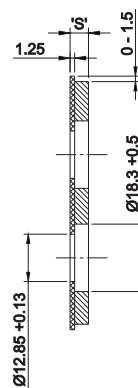
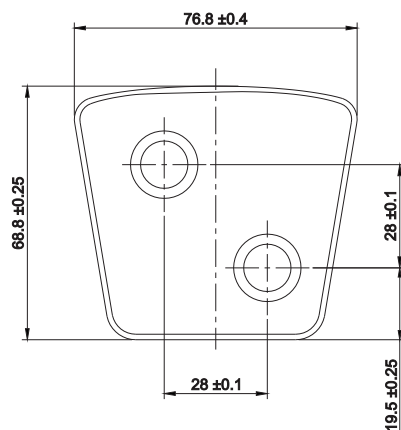
# Clutch Buttons Models



MODEL NUMBER	THICKNESS ('S')
GCB - 4.60	6.00 MM
GCB - 4.50	5.00 MM
GCB - 4.40	4.00 MM
GCB - 4.38	3.80 MM
GCB - 4.36	3.60 MM
GCB - 4.32	3.20 MM

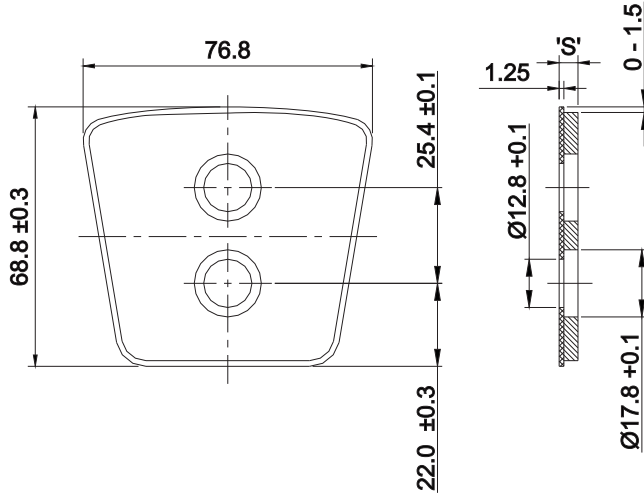


MODEL NUMBER	THICKNESS ('S')
GCB - 5.60	6.00 MM
GCB - 5.58	5.80 MM
GCB - 5.50	5.50 MM
GCB - 5.53	5.30 MM
GCB - 5.50	5.00 MM
GCB - 5.48	4.80 MM
GCB - 5.44	4.40 MM
GCB - 5.42	4.20 MM
GCB - 5.40	4.00 MM
GCB - 5.38	3.80 MM
GCB - 5.36	3.60 MM
GCB - 5.32	3.20 MM

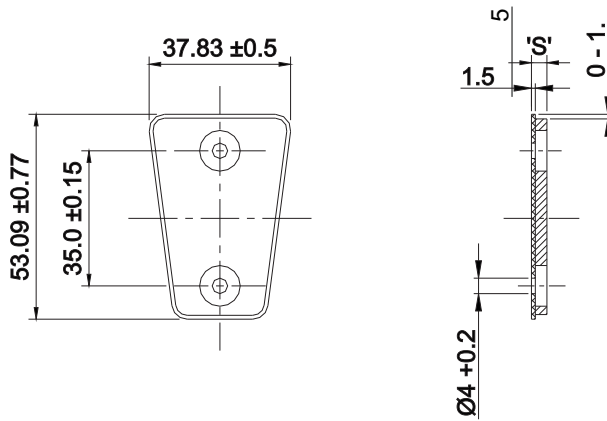


MODEL NUMBER	THICKNESS ('S')
GCB - 6.60	6.00 MM
GCB - 6.55	5.50 MM
GCB - 6.48	4.80 MM
GCB - 6.44	4.40 MM
GCB - 6.40	4.00 MM
GCB - 6.38	3.80 MM
GCB - 6.36	3.60 MM
GCB - 6.32	3.20 MM

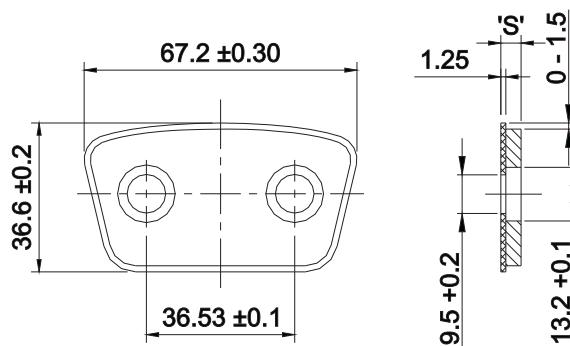
# Clutch Buttons Models



MODEL NUMBER	THICKNESS ('S')
GCB - 7.60	6.00 MM
GCB - 7.55	5.50 MM
GCB - 7.48	4.80 MM
GCB - 7.44	4.40 MM
GCB - 7.40	4.00 MM
GCB - 7.38	3.80 MM
GCB - 7.36	3.60 MM
GCB - 7.32	3.20 MM

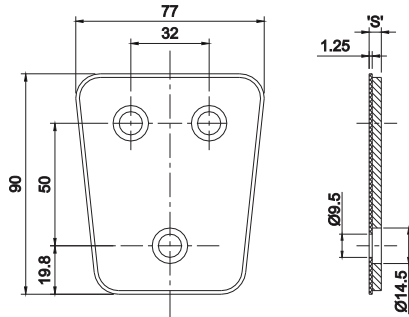


MODEL NUMBER	THICKNESS ('S')
GCB - 8.34	3.40 MM

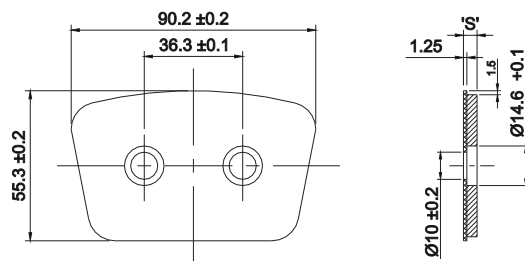


MODEL NUMBER	THICKNESS ('S')
GCB - 9.48	4.80 MM
GCB - 9.44	4.40 MM
GCB - 9.40	4.00 MM
GCB - 9.38	3.80 MM
GCB - 9.36	3.60 MM
GCB - 9.32	3.20 MM
GCB - 9.30	3.00 MM
GCB - 9.28	2.80 MM

# Clutch Buttons Models



MODEL NUMBER	THICKNESS ('S')
GCB - 10.105	10.50 MM
GCB - 10.500	5.00 MM



MODEL NUMBER	THICKNESS ('S')
GCB - 11.50	5.00 MM
GCB - 11.48	4.80 MM
GCB - 11.44	4.40 MM
GCB - 11.40	4.00 MM