

Friction Sintered Pads



GOLDEN SINTERED PADS

GOLDEN supply wide range of high quality Sintered Pads in various sizes and shapes for Dynamic Wind Turbines / Wind mills.

FEATURES

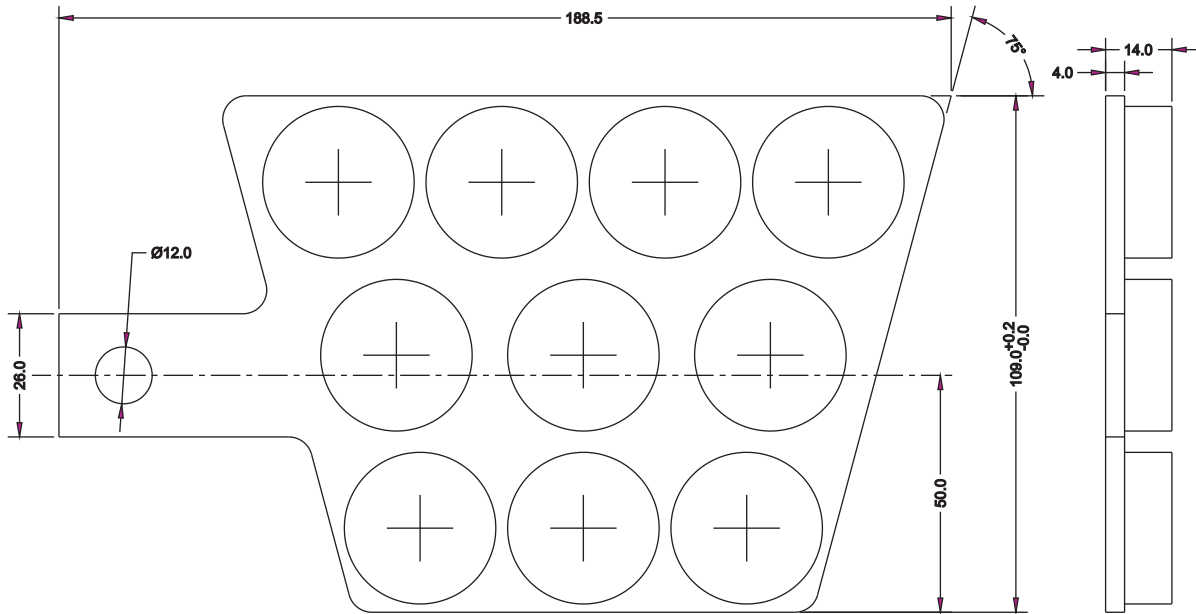
- Better clutch durability
- Superior surface furnish for greater apply and friction clutch life.
- Capable for dry Hi-performance

BENEFITS

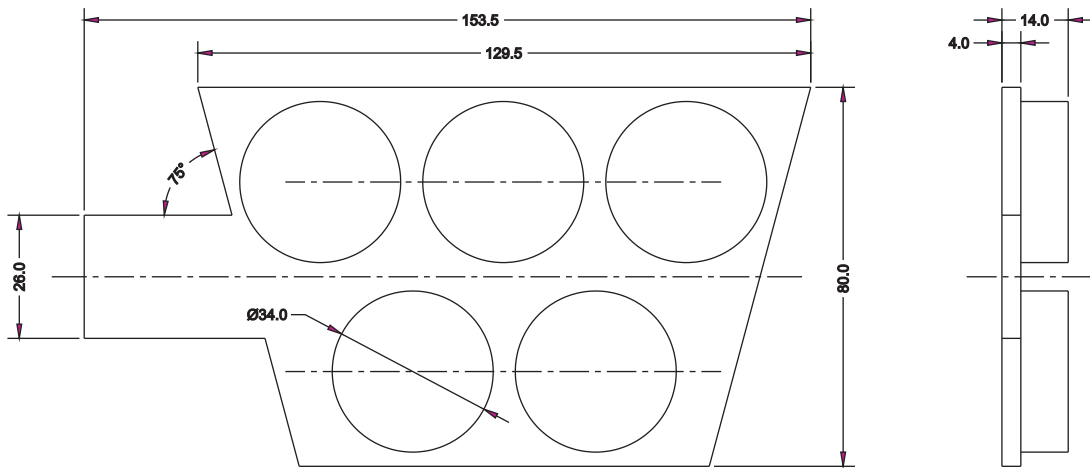
- Reduce costs and improve delivery time by ordering small or large quantities.
- GOLDEN has over 13 designs of pads in various shapes.

Sintered Pads Models

Part No. GEC-110

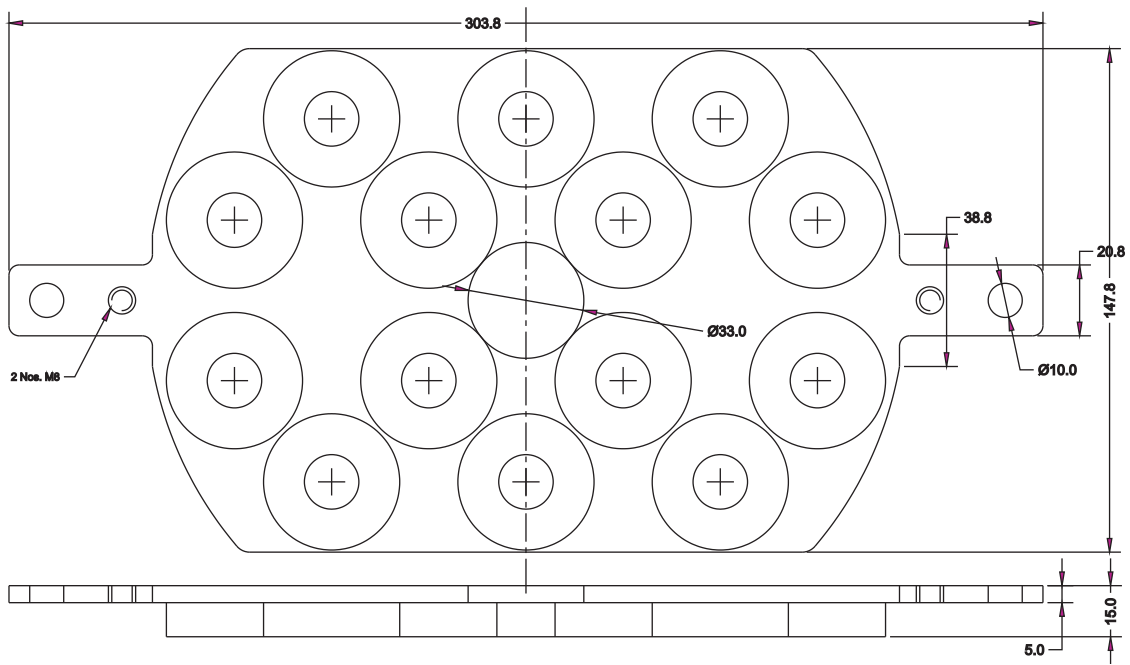


Part No. GEC-140

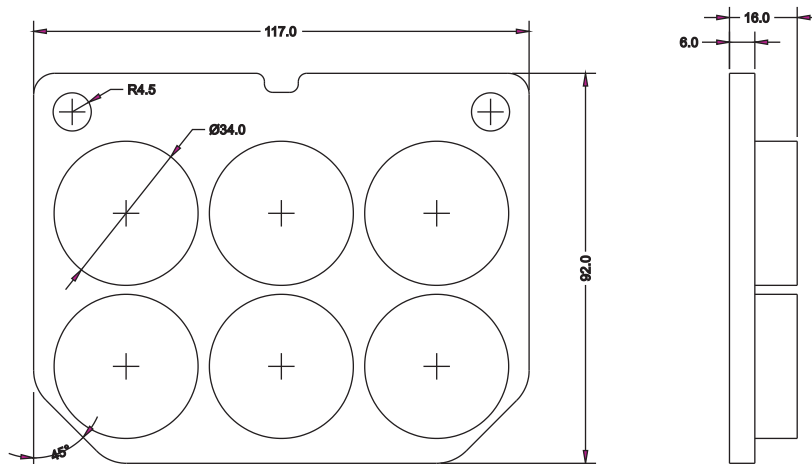


Sintered Pads Models

Part No. GEC-150

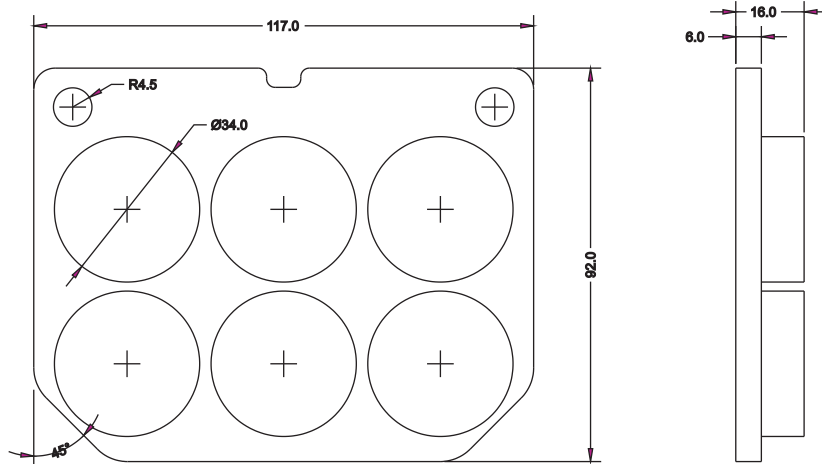


Part No. GEC-150

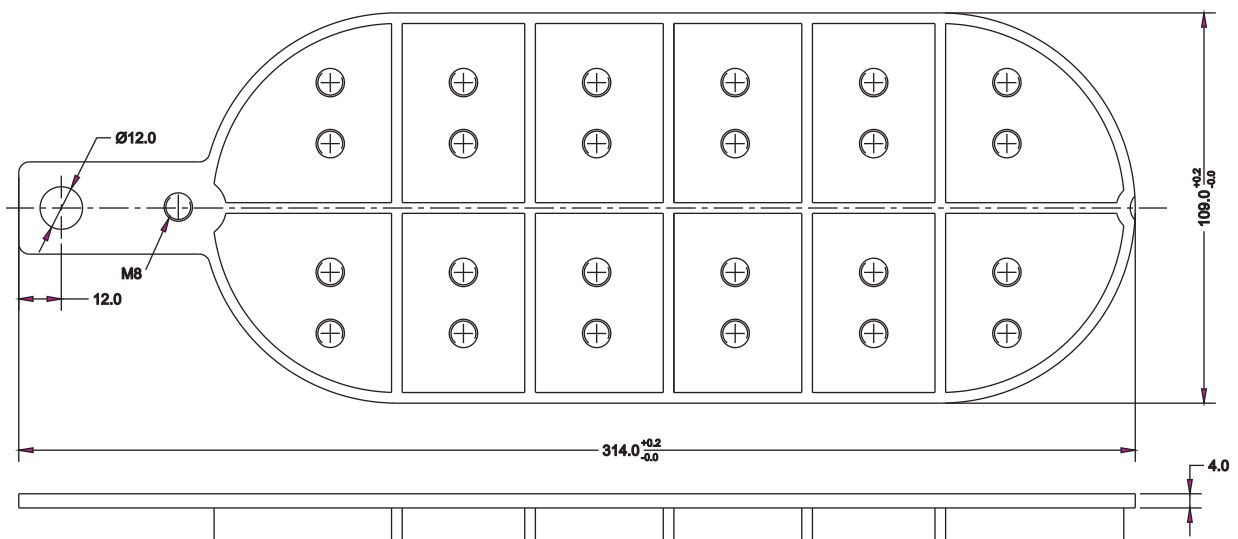


Sintered Pads Models

Part No. GEC-160

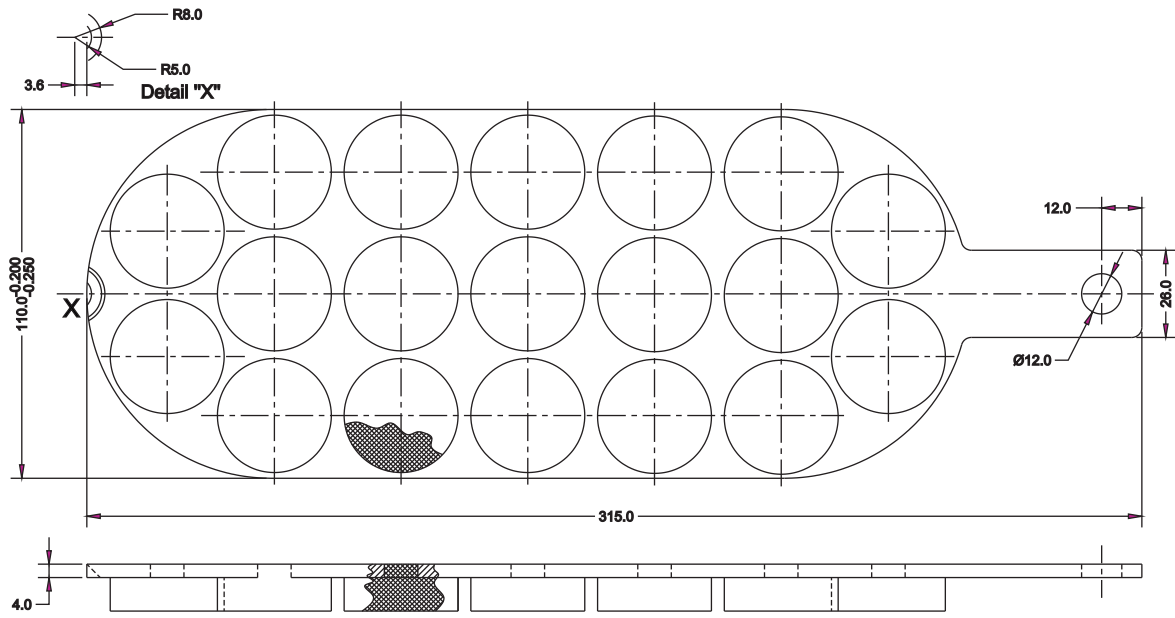


Part No. GEC-190-1

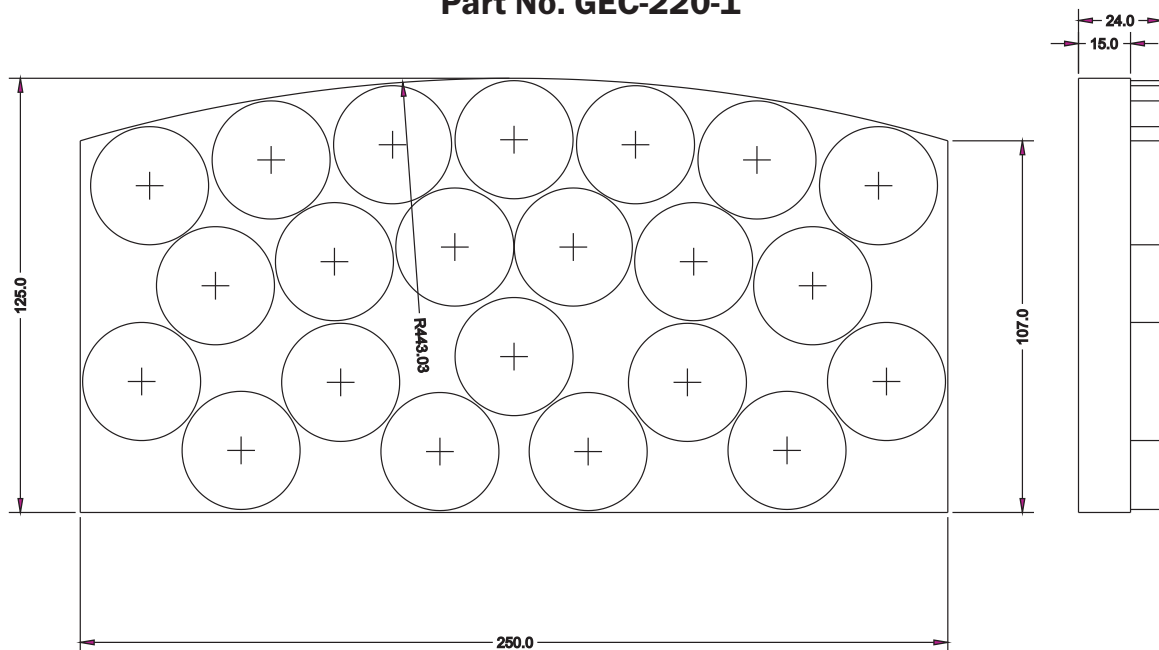


Sintered Pads Models

Part No. GEC-190

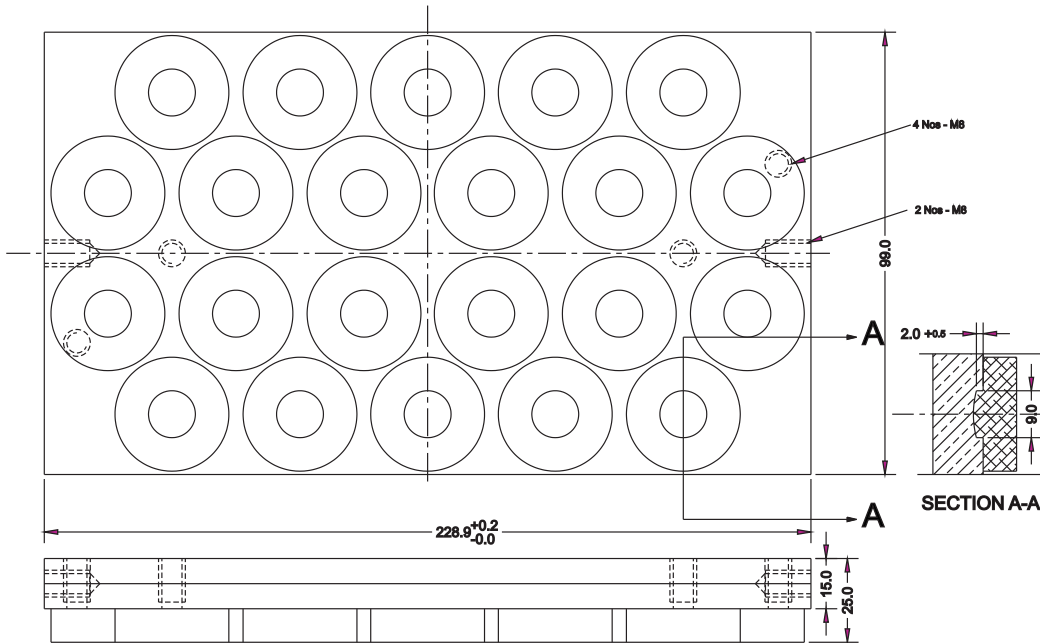


Part No. GEC-220-1

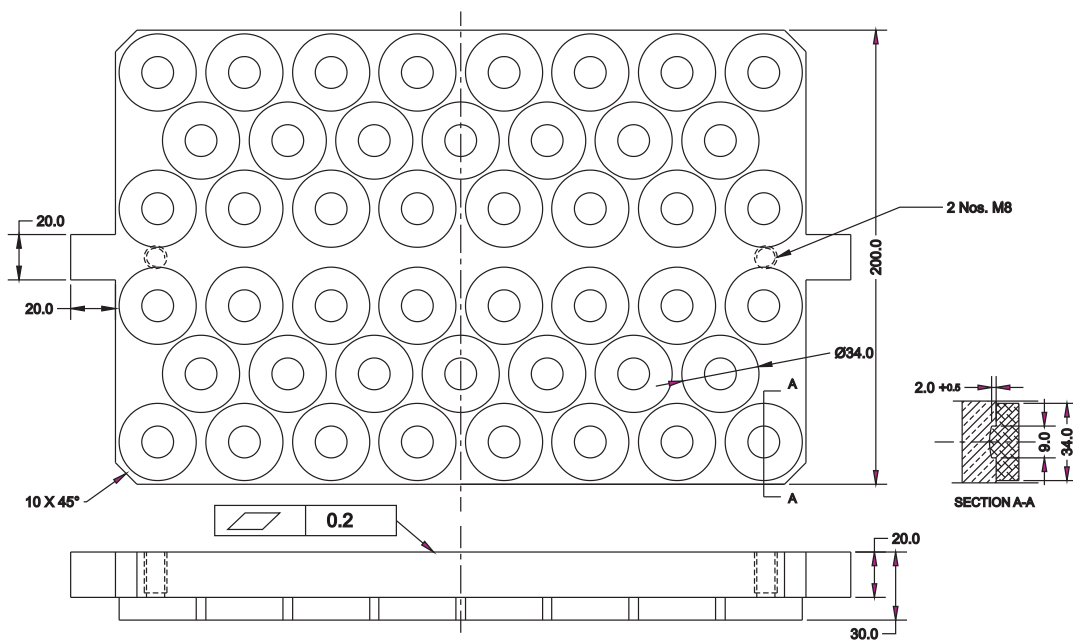


Sintered Pads Models

Part No. GEC-220-2



Part No. GEC-480



Sintered Pads Models

