

Mechanical Clutches



GOLDEN MECHANICAL CLUTCHES

GOLDEN manufactures and stock a wide range of high quality Mechanical Clutches for Forward & Reverse applications and for Dry / Wet operation.

FEATURES

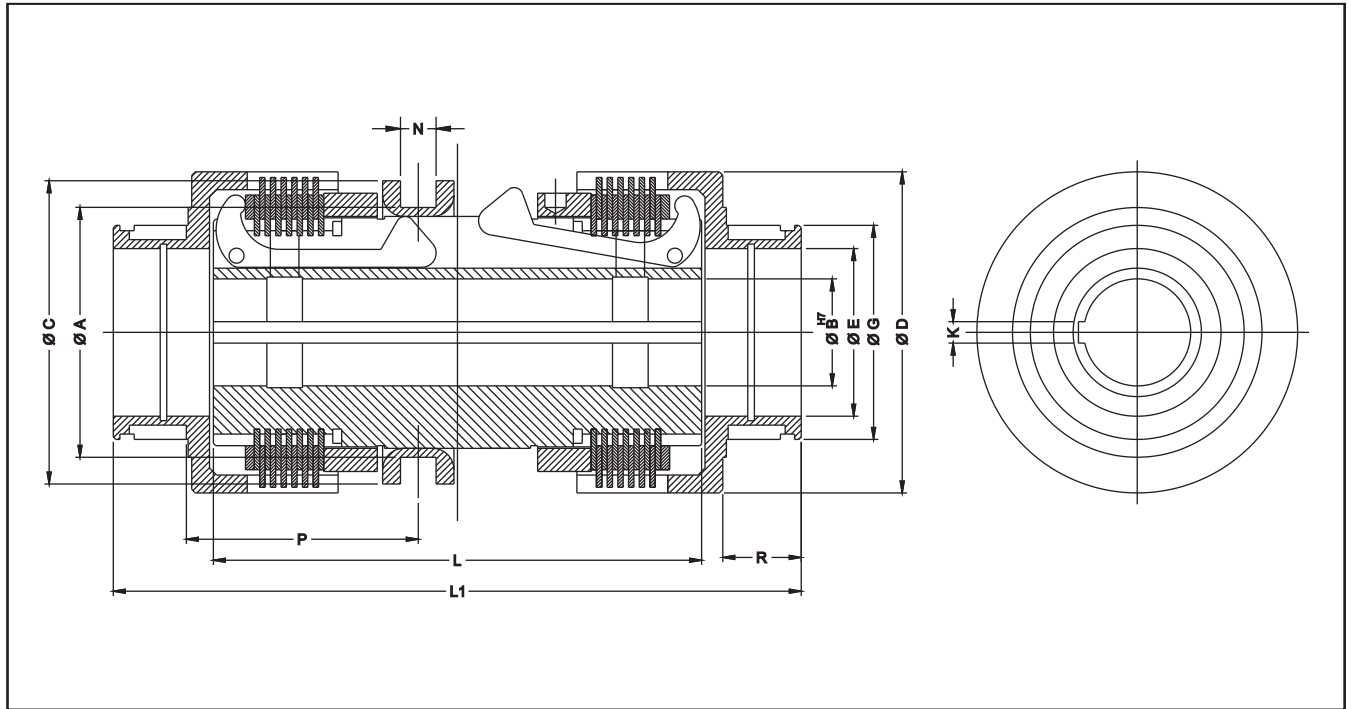
- High Torque upto 90 KGM
- Single / Double acting options
- For Oil / Dry Operations
- With Multiple Plates Inner / Outer
- With or Without Outer Carrier
- With standard sleeve flange, shoulder, cup or hub housing options

BENEFITS

- Better quality and high torques
- Quick delivery time for small quantities

Mechanical Clutches

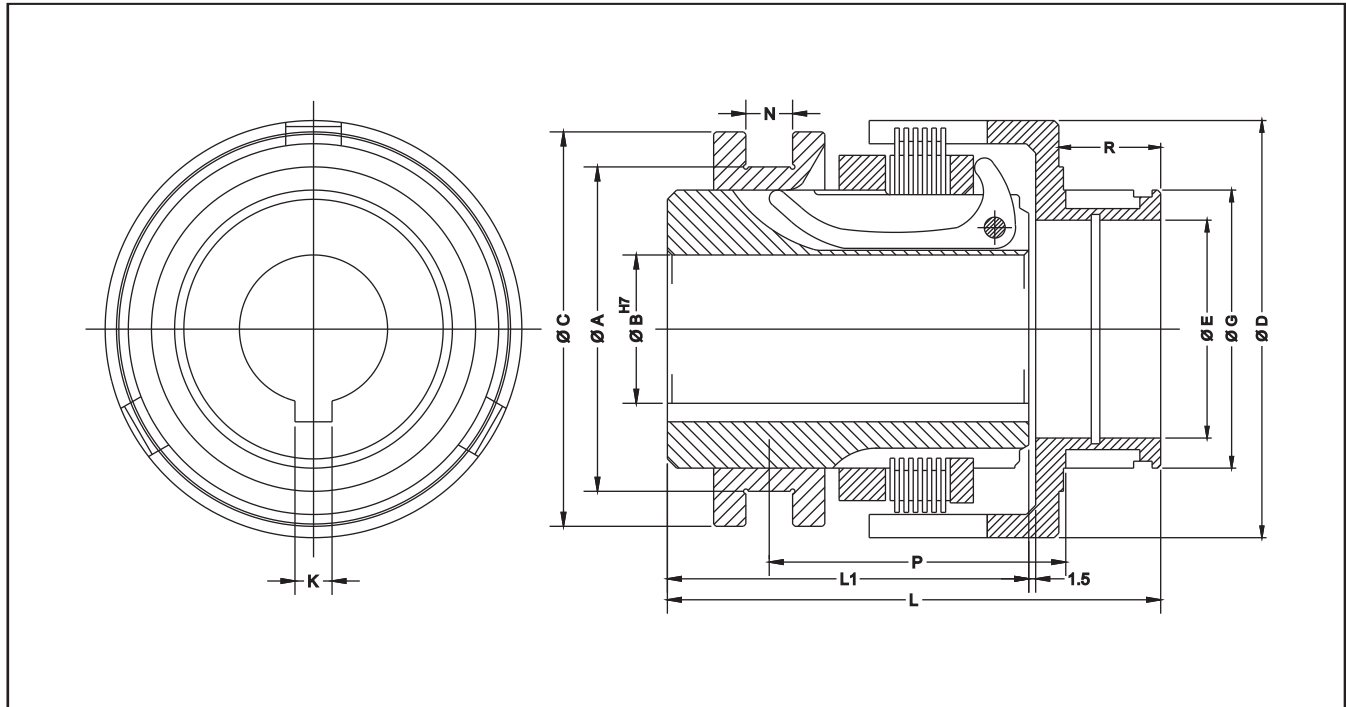
Double Acting GPP.MC - F Series



Model	GP-R 8	GP-R 16	GP-R 20	GP-R 32	GP-R 45	GP-R 64	GP-R 90
Torque (KGM)	8.0	16.0	20.0	32.0	45.0	64.0	90.0
Dimensional Data	Ø A	70.0	85.0	85.0	85.0	120.0	120.0
	Ø B	32.0	38.0	45.0	45.0	60.0	68.0
	Ø C	85.0	100.0	100.0	100.0	140.0	140.0
	Ø D	80.0	112.4	125.0	150.0	160.0	180.0
	Ø E	55.0	55.0	68.0	68.0	90.0	90.0
	Ø G	70.0	70.0	80.0	90.0	120.0	120.0
	L	137.0	158.0	158.0	172.0	238.0	245.0
	L1	209.0	258.0	258.0	272.0	358.0	391.0
	P	74.5	89.0	89.0	99.0	132.0	135.5
	N	10.0	15.0	15.0	15.0	26.0	26.0
	R	30.0	40.0	40.0	40.0	60.0	60.0
K	6.0 x 3.0	10.0 x 2.0	8.0 x 4.0	10.0 x 4.5	14.0 x 5.0	14.0 x 5.0	

Mechanical Clutches

Single Acting
GPP.MC - H Series



Model	GP-R 8	GP-R 16	GP-R 20	GP-R 32	GP-R 45	GP-R 64	GP-R 90
Torque (KGM)	8.0	16.0	20.0	32.0	45.0	64.0	90.0
Dimensional Data	Ø A	70.0	85.0	85.0	85.0	120.0	120.0
	Ø B	32.0	38.0	45.0	45.0	60.0	68.0
	Ø C	85.0	100.0	100.0	100.0	140.0	140.0
	Ø D	80.0	112.4	125.0	150.0	160.0	210.0
	Ø E	55.0	55.0	68.0	68.0	90.0	90.0
	Ø G	70.0	70.0	80.0	90.0	120.0	120.0
	L	117.0	145.0	145.0	155.0	218.0	218.0
	L1	81.0	95.0	98.0	105.0	145.0	145.0
	P	74.5	89.0	89.0	99.0	132.0	135.5
	N	10.0	15.0	15.0	15.0	26.0	26.0
	R	30.0	40.0	40.0	40.0	60.0	60.0
K	6.0 x 3.0	10.0 x 2.0	8.0 x 4.0	10.0 x 4.5	14.0 x 5.0	14.0 x 5.0	