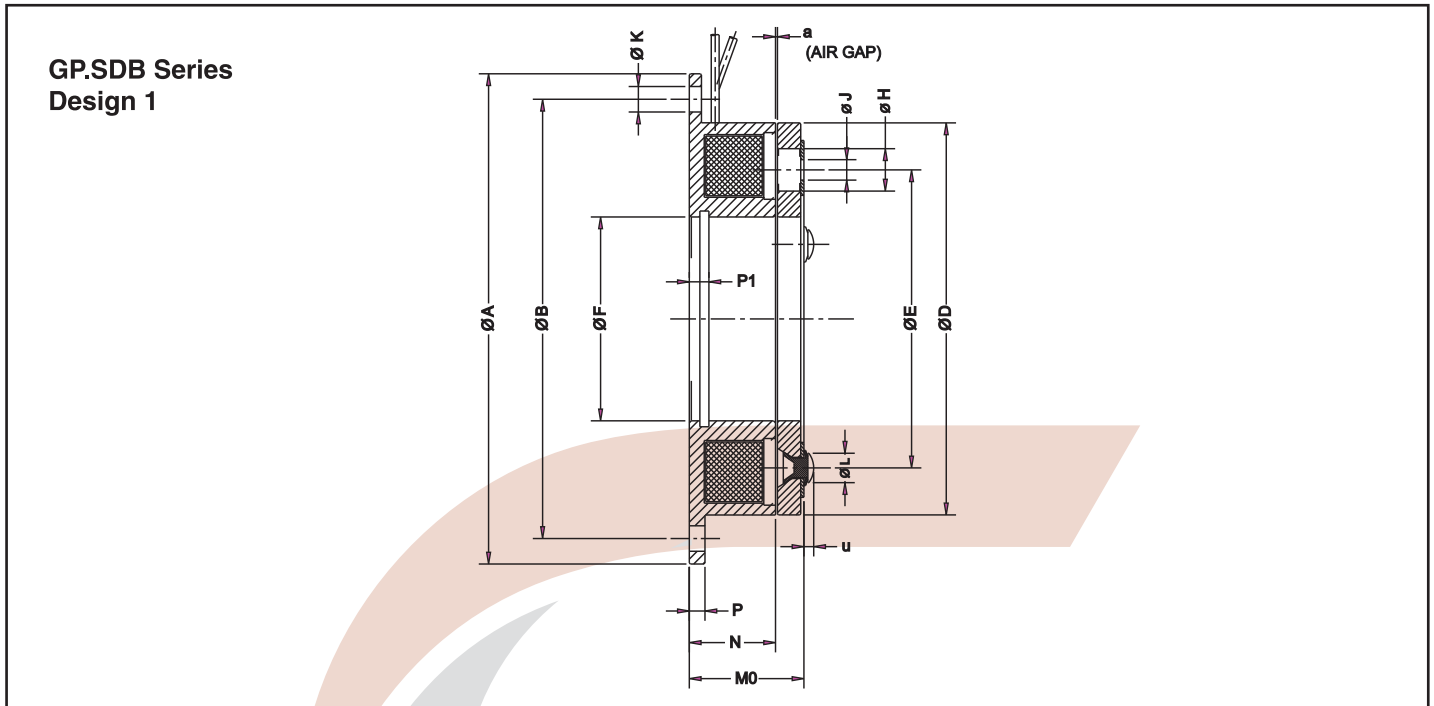


Dimension Data

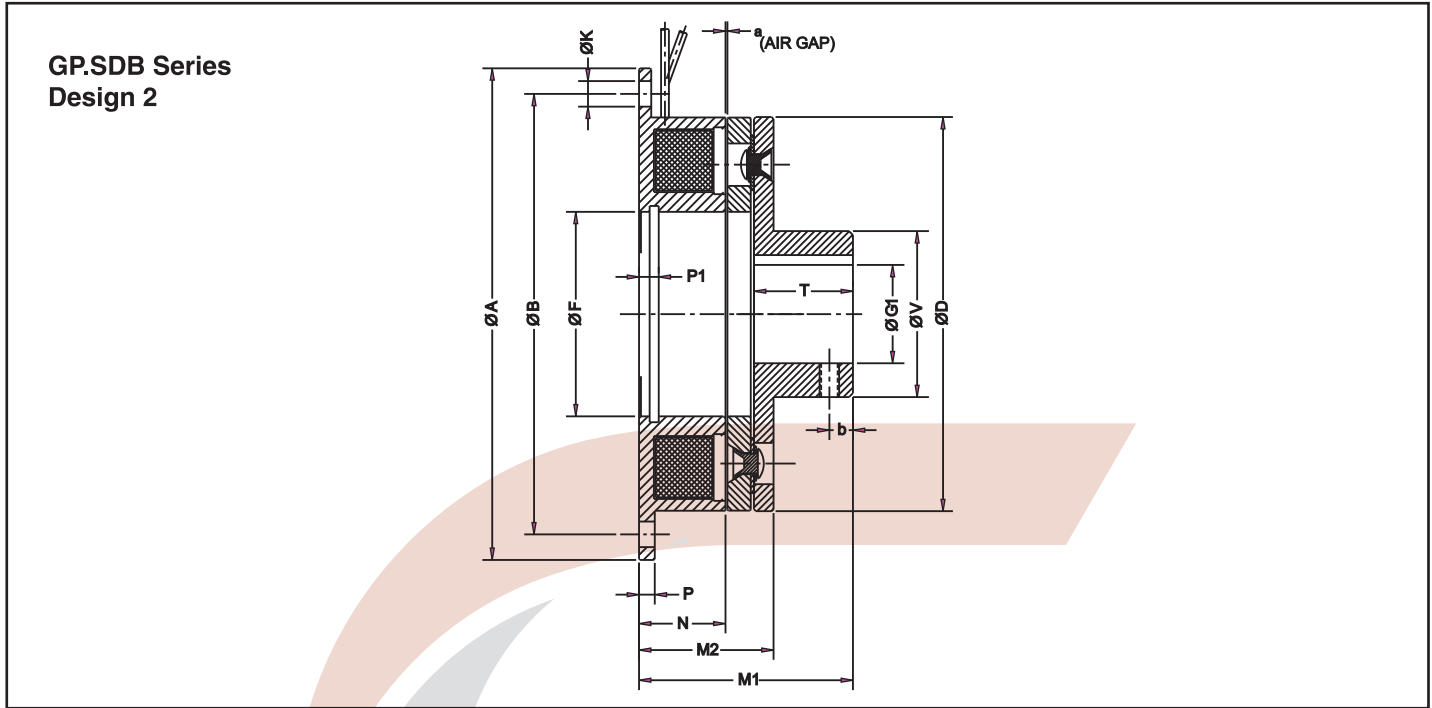
Electromagnetic Brakes GP.SDB Series



Size	01	02	03	06	10	20	40	60	
Torque in NM	6	12	25	50	100	200	400	600	
Max. Speed (min -1)	7,000	6,000	5,000	4,000	3,000	2,500	2,000	1,500	
Input Power(at 20°C) (W)	11	16	21	27	37	46	60	80	
D I M E N S I O N S	ØAh9	80	100	125	150	190	230	290	355
	ØB	72	90	112	137	175	215	270	335
	ØD	63	80	100	125	160	200	250	320
	ØE	46	60	76	95	120	158	210	250
	ØFH8	35	42	52	62	80	100	125	160
	ØH	6.3	8	10.5	12	15	18	22	28
	ØJ	3 X 3.1	3 X 4.1	3 X 5.1	3 X 6.1	3 X 8.2	3 X 10.2	4 X 12.2	4 X 16.2
	ØK	4 X 4.5	4 X 5.5	4 X 6.6	4 X 6.6	4 X 9	4 X 9	4 X 11	8 X 12.0
	ØL	3 X 5.5	3 X 7	3 X 9	3 X 10	3 X 13	3 X 16	4 X 20	4 X 26.0
	M ₀	22	24.5	27.9	31	35	41.4	47.9	80.0
	N	18	20	22	24	26	30	35	44
	P	2	2.5	3	3.35	4	5	6	14
	P ₁	3.5	4.3	5	5.5	6	7	8	9
	U	1.6	1.8	2.4	2.8	3.2	4	4.3	5.0
	a	0.2	0.2	0.2	0.3	0.3	0.5	0.5	0.5
Max bore ØG 1 ^{H7}	17	20	30	35	40	60	80	100	

Dimension Data

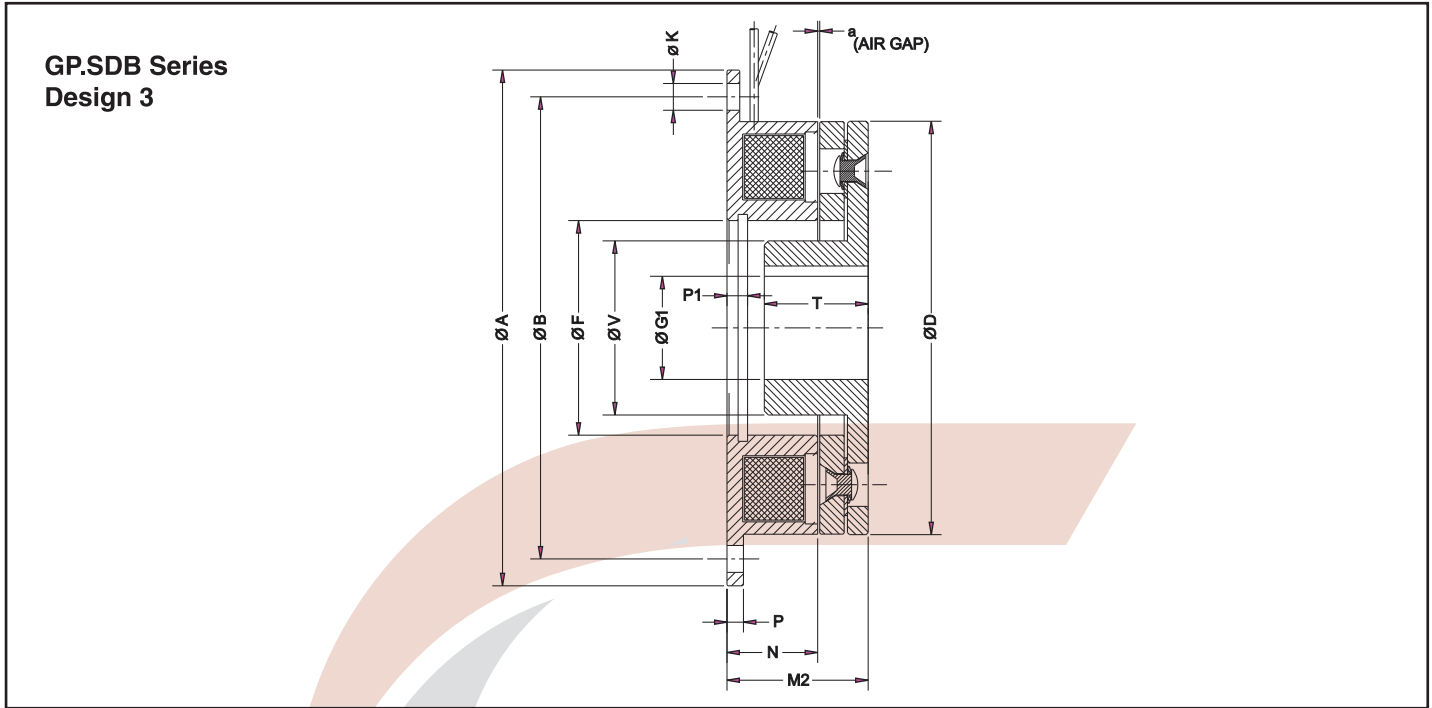
Electromagnetic Brakes GP.SDB Series



Size	01	02	03	06	10	20	40	60	
Torque in NM	6	12	25	50	100	200	400	600	
Max. Speed (min -1)	7,000	6,000	5,000	4,000	3,000	2,500	2,000	1,500	
Input Power(at 20°C) (W)	11	16	21	27	37	46	60	80	
D I M E N S I O N S	ØAh9	80	100	125	150	190	230	290	355
	ØB	72	90	112	137	175	215	270	335
	ØD	63	80	100	125	160	200	250	320
	ØFH8	35	42	52	62	80	100	125	160
	ØK	4 X 4.5	4 X 5.5	4 X 6.6	4 X 6.6	4 X 9	4 X 9	4 X 11	8 X 12.0
	M ₁	37	44.5	52.9	61	73	89.4	102.9	125.0
	M ₂	25.5	28.5	32.9	37	42	50.4	58.9	72.0
	N	18	20	22	24	26	30	35	44
	P	2	2.5	3	3.35	4	5	6	14
	P ₁	3.5	4.3	5	5.5	6	7	8	9
	T	15	20	25	30	38	48	55	64
	ØV	28	33	43	50	66	84	106	135
	a	0.2	0.2	0.2	0.3	0.3	0.5	0.5	0.5
	b	5	6	6	10	10	15	20	20
Max bore ØG 1 ^{H7}	17	20	30	35	40	60	80	100	

Dimension Data

Electromagnetic Brakes GP.SDB Series



Size	01	02	03	06	10	20	40	60	
Torque in NM	6	12	25	50	100	200	400	600	
Max. Speed (min -1)	7,000	6,000	5,000	4,000	3,000	2,500	2,000	1,500	
Input Power(at 20°C) (W)	11	16	21	27	37	46	60	80	
D I M E N S I O N S	ØAh9	80	100	125	150	190	230	290	355
	ØB	72	90	112	137	175	215	270	335
	ØD	63	80	100	125	160	200	250	320
	ØFH8	35	42	52	62	80	100	125	160
	ØK	4 X 4.5	4 X 5.5	4 X 6.6	4 X 6.6	4 X 9	4 X 9	4 X 11	8 X 12.0
	M2	25.5	28.5	32.9	37	42	50.4	58.9	72.0
	N	18	20	22	24	26	30	35	44
	P	2	2.5	3	3.35	4	5	6	14
	P1	3.5	4.3	5	5.5	6	7	8	9
	T	15	20	25	30	38	48	55	64
	U	1.6	1.8	2.4	2.8	3.2	4	4.3	5.0
	ØV	28	33	43	50	66	84	106	135
	a	0.2	0.2	0.2	0.3	0.3	0.5	0.5	0.5
Max bore ØG 1 ^{H7}	17	20	30	35	40	60	80	100	